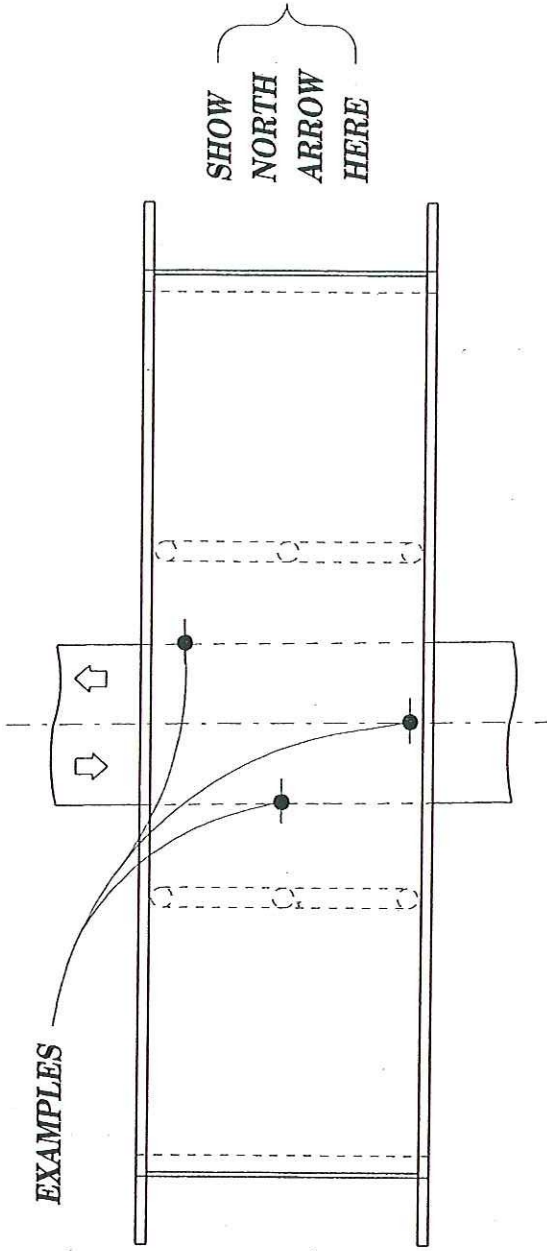


**NOTE: SHOW LOCATION OF CRITICAL VERTICAL CLEARANCE**



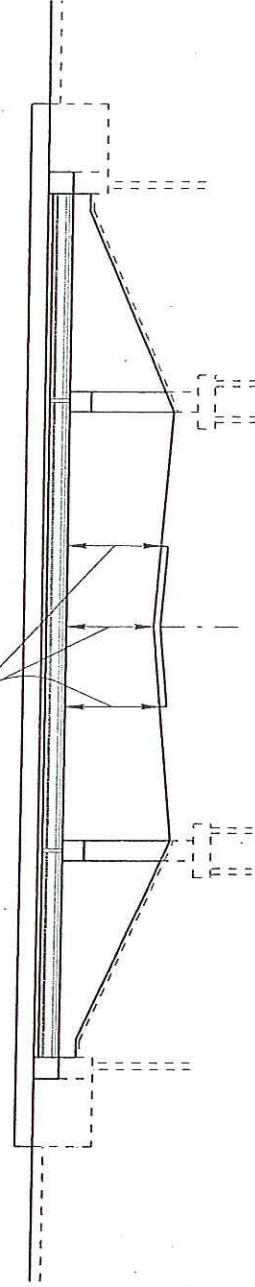
SHOW  
NORTH  
ARROW  
HERE

PLAN

**NOTE: LOCATION OF CRITICAL VERTICAL CLEARANCE IS SHOWN ON SHEET 1 OF BRIDGE PLANS. CHECK OTHER LOCATIONS.**

**RECORD CRITICAL VERTICAL CLEARANCE ONLY!**

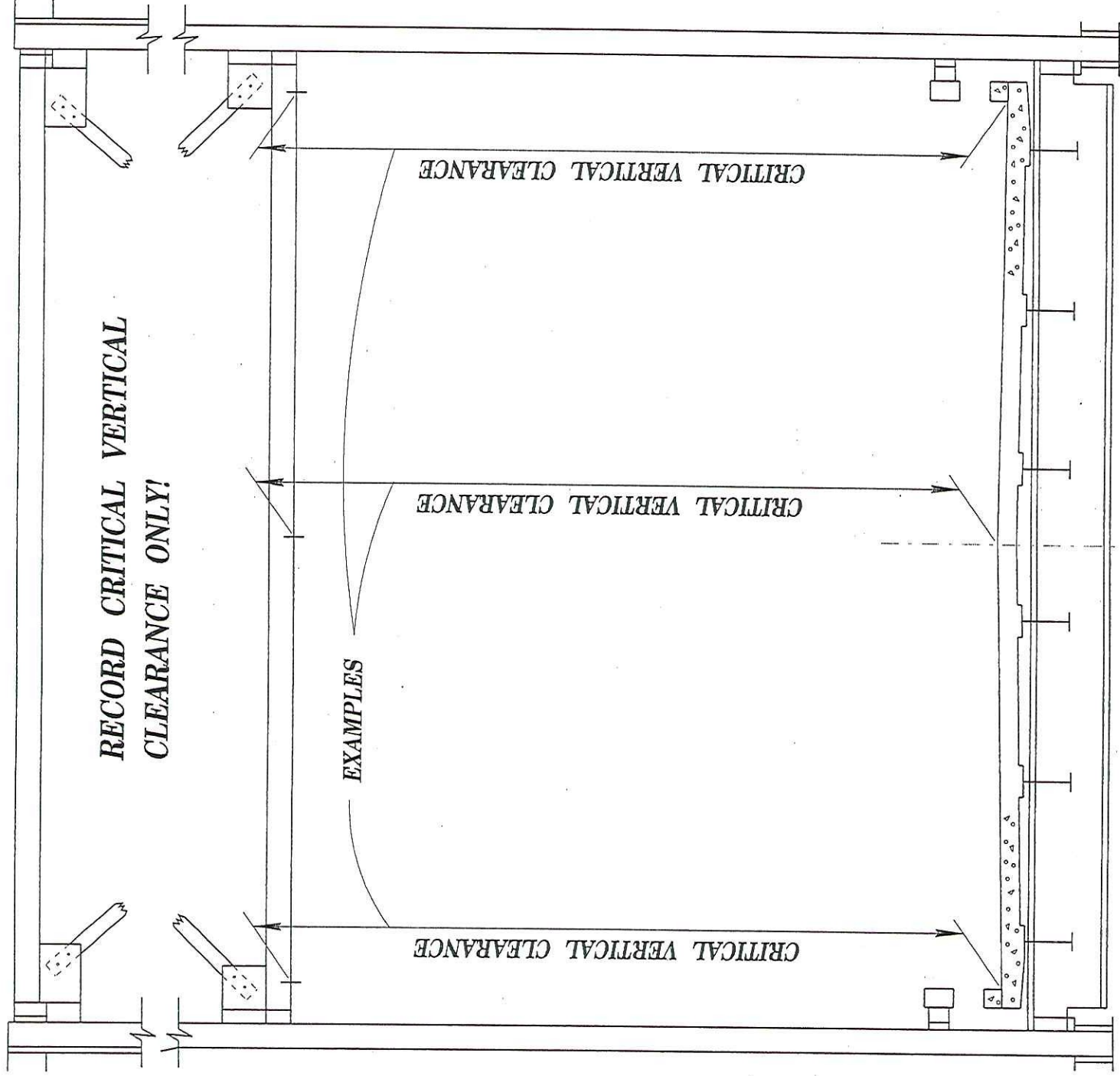
EXAMPLES



ELEVATION

BRIDGE NUMBER \_\_\_\_\_  
DATE MEASURED \_\_\_\_\_

INDICATE "HIGHWAY UNDER" DIRECTION.



**RECORD CRITICAL VERTICAL CLEARANCE ONLY!**

**EXAMPLES**

**CRITICAL VERTICAL CLEARANCE**

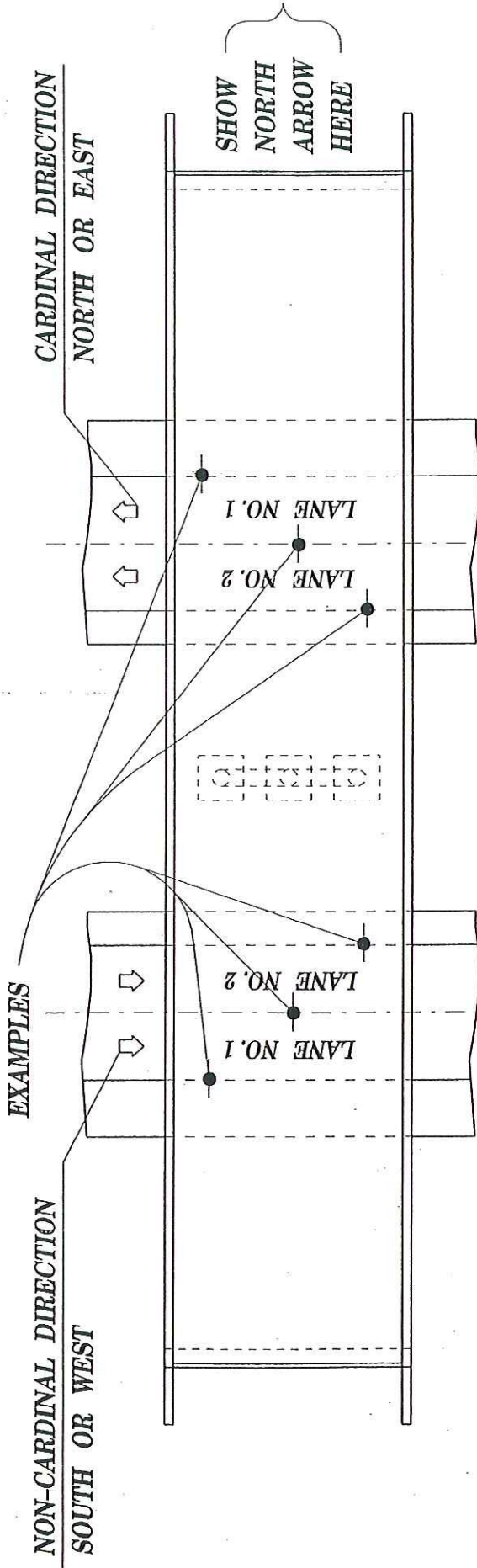
**CRITICAL VERTICAL CLEARANCE**

**CRITICAL VERTICAL CLEARANCE**

**CROSS SECTION THRU ROADWAY  
OVERHEAD TRUSS**

**DATE MEASURED** \_\_\_\_\_

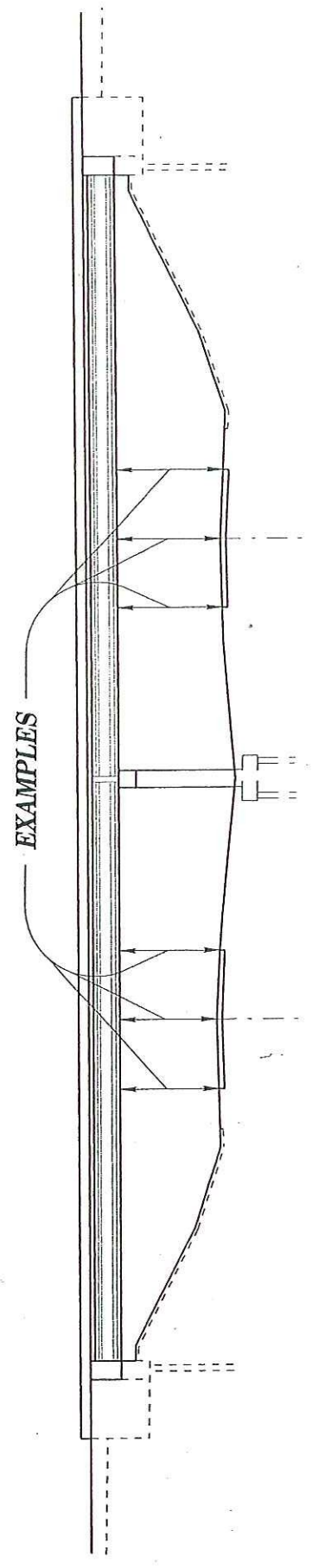
**NOTE: SHOW LOCATION OF CRITICAL VERTICAL CLEARANCE**



**NOTE: LOCATION OF CRITICAL VERTICAL CLEARANCE IS SHOWN ON SHEET 1 OF BRIDGE PLANS. CHECK OTHER LOCATIONS.**

**PLAN**

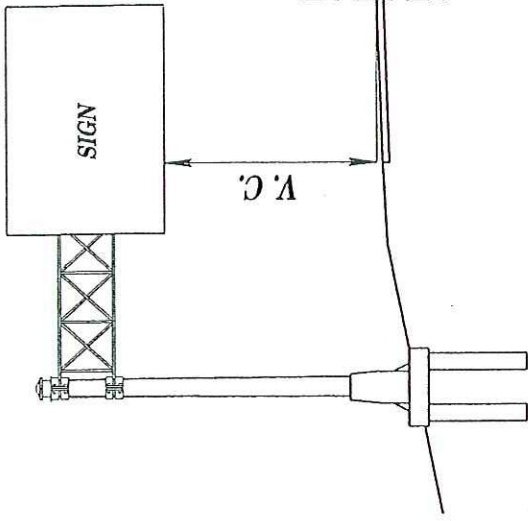
**RECORD CRITICAL VERTICAL CLEARANCE ONLY!**



**ELEVATION**

**INDICATE CARDINAL AND NON-CARDINAL DIRECTION.**

BRIDGE NUMBER \_\_\_\_\_  
DATE MEASURED \_\_\_\_\_



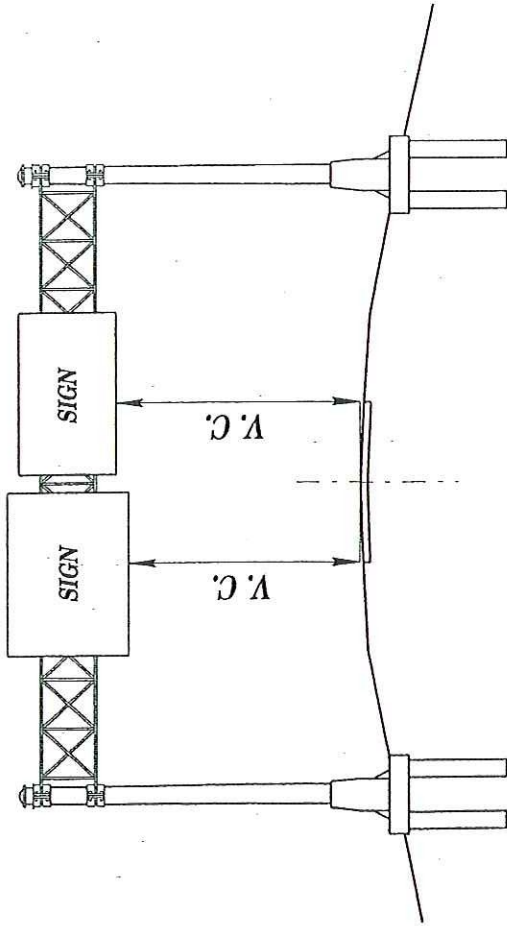
**CANTILEVER TRUSS**

LOOKING \_\_\_\_\_

V. C. = VERTICAL CLEARANCE

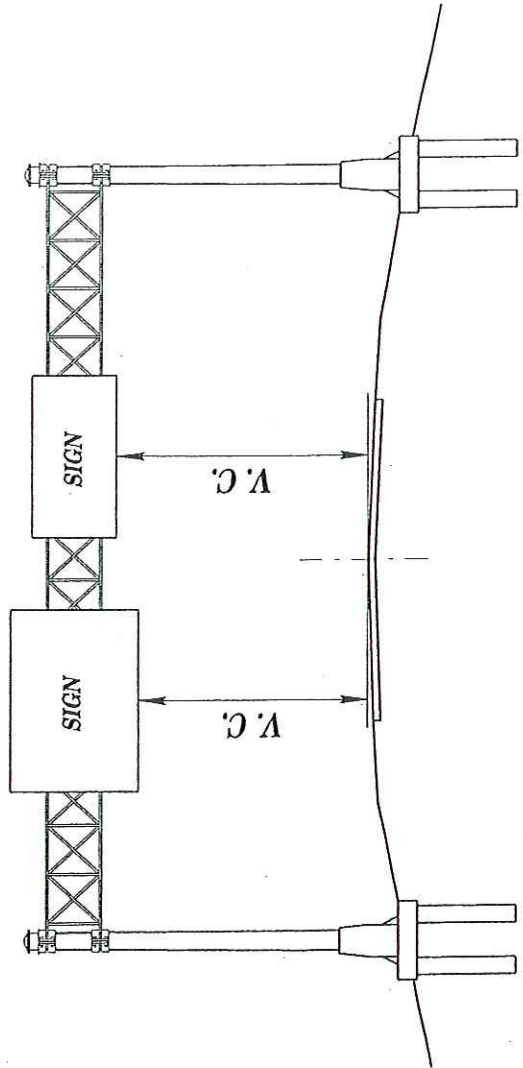
INDICATE UNDER SKETCHES  
WHICH DIRECTION LOOKING

SIGN BRIDGES NUMBER \_\_\_\_\_  
DATE MEASURED \_\_\_\_\_



**OVERHEAD TRUSS**

LOOKING \_\_\_\_\_



**OVERHEAD TRUSS**

LOOKING \_\_\_\_\_